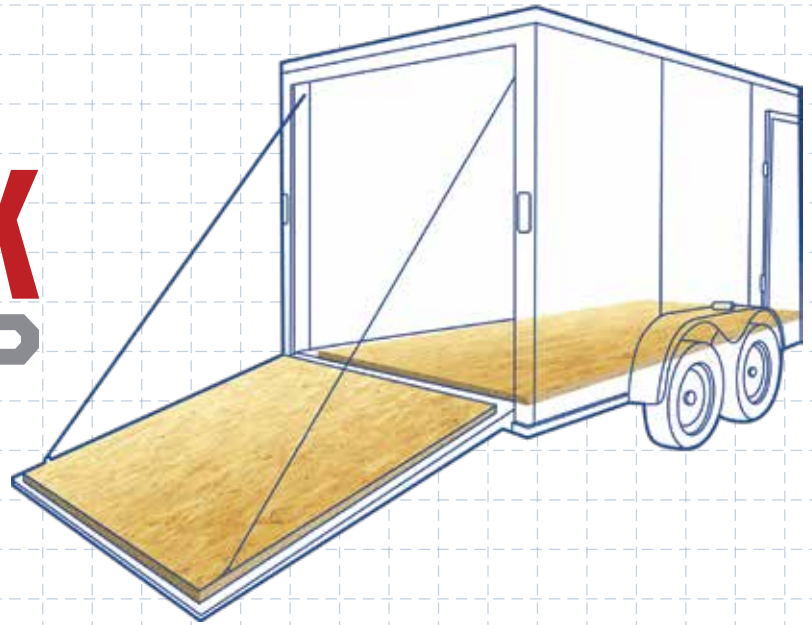




STABLEDECK

ENGINEERED STRAND PRODUCTS **ESP**



STABLEDECK IS A PRECISION ENGINEERED WOOD PANEL THAT IS SPECIFICALLY DESIGNED FOR TODAY'S ENCLOSED TRAILER FLOOR SYSTEMS

- No knotholes or core voids, and withstands higher impacts than plywood alternatives
- Excellent resistance to twisting, cupping, cracking and warping
- Strong fastener holding
- Excellent anti-swell properties
- Superior yield due to optimized panel sizes
- Clean surfaces, free of patches, putty and other imperfections
- Smooth sanded finish on the face of the panel with no panel markings
- 1-year limited warranty
- Meets or exceeds APA PS2 standards
- StableWall and StableWall + panels also available for enclosed trailer manufacturing
- CARB (California Air Resource Board) exempt – free of any urea-formaldehyde resins
- Comes standard as a 4x8 panel, nominal 23/32 thickness. Other panel lengths are available – contact us for more details.



CALL US TODAY

Blair Ruzicka • blair.ruzicka@norbord.com • (470) 201-7660

Joe Boscariol • joe.boscariol@norbord.com • (416) 777-4381

Adeel Muqtadir • adeel.muqtadir@norbord.com • (416) 777-4392

Chris Wischmann • chris.wischmann@norbord.com • (951) 255-1712

Paolo Zampieron • paolo.zampieron@norbord.com • (416) 777-4383